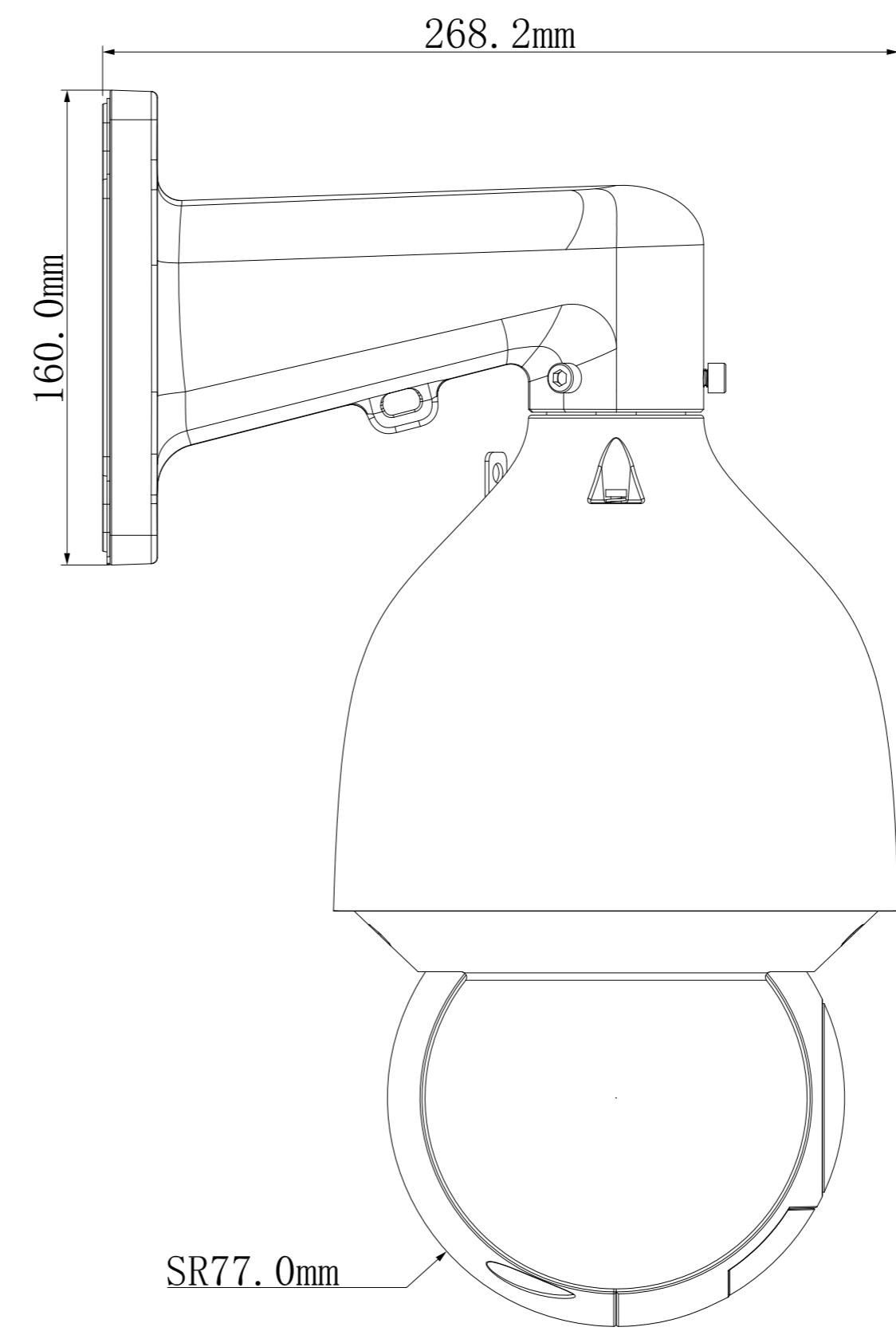
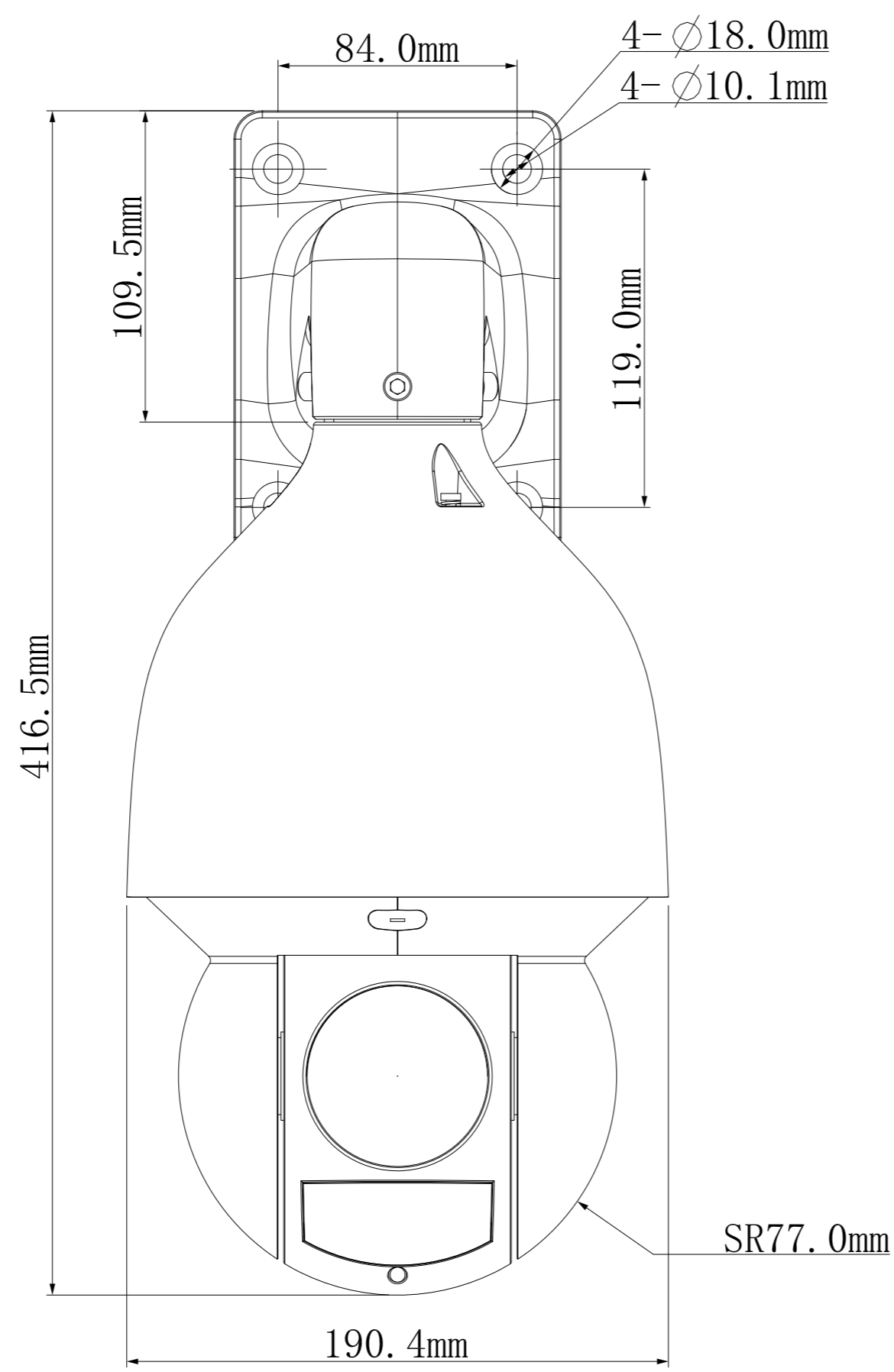


REVISIONS					
REV	ZONE	MARK	DESCRIPTION	DATE	CHANGED



RELEASE LEVEL: &PROT_RELEASE
FILE NAME: MODEL NME

. X	±0.2			TITLE:	
. XX	±0.15			DRAW: DATE:	
. XXX	±0.05	ANG ±0.5	DATE:	UNIT'S: mm	DWG NO.:
<small>THESE DRAWINGS AND SPECIFICATION ARE THE PROPERTY OF ZHEJIANG DABHA TECHNOLOGY Co., LTD. AND SHALL NOT BE REPRODUCED, COPIED OR USED IN ANY MANNER WITHOUT THE PRIOR WRITTEN CONSENT OF ZHEJIANG DABHA TECHNOLOGY Co., LTD.</small>			CHKD:	DATE:	SCALE: 1:2
			STAD:	DATE:	
			APPD:	DATE:	SHEET: 1 OF 1